



SPECIFICATION SHEET

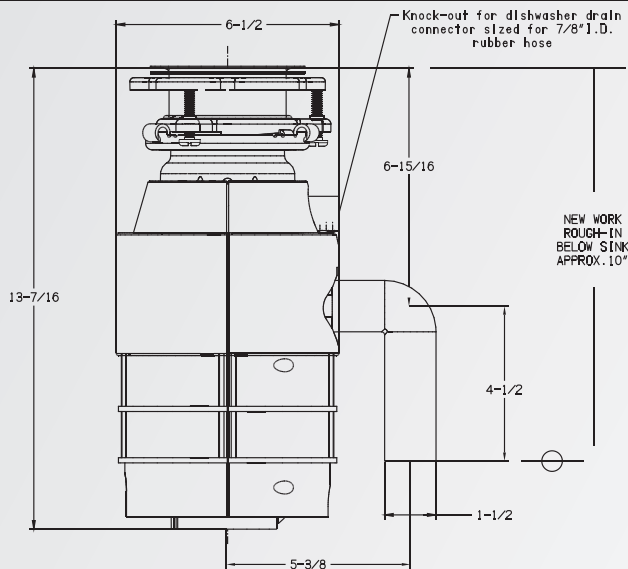
GLCD30C - 3/4 H.P.

PROFESSIONAL 3-BOLT MOUNT SYSTEM

FOOD WASTE DISPOSER

- High-speed 2700 r.p.m. permanent magnet motor produces more power per pound.
- Stainless steel, rust free grinding components.
- Longest warranties in the industry demonstrates commitment to quality.
- Sound insulated for quiet operation.
- Safe for properly sized septic tanks.

Dimensions



Specifications

Motor Horse Power	3/4 H.P.
Motor Speed R.P.M.	2700
Voltage	115
Hz	60
Current-Amps	6.0
Motor Type	Permanent Magnet
Sink Flange	Stainless Steel
Stopper	Positive Seal
Splash Guard	Not Removable
Waste Elbow	ABS
Feed	Continuous
Grinding Ring	Stainless Steel
Swivel Impellers	Stainless Steel
Turntable	Stainless Steel
Hopper	Glass Filled Nylon
Grinding Chamber	Corrosion Proof Glass Filled Polyester
Bearings	Permanently Lubricated; Sleeve Type
Overload Protector	Manual Reset Type
Shipping Weight (lbs.)	12 Lbs.
Pallet Quantity	75
36" power cord included	

Warranty

Any Model GLCD30C that fails to operate during the 8 years of the original purchaser and limited to the original purchaser, will be replaced in your home free of charge.

LIFETIME WARRANTY AGAINST CORROSION

Any Model GLCD30C that fails to operate because of corrosion will be repaired or replaced free of charge to the original purchaser. Labor not included.



For Questions and/or Services, please call:
1-800-854-3229

Due to continue product improvement, specifications may change without notice.